

BÊKJO
SINCE 1964
MADE IN KOREA

CONI

 **KOREAN PREMIUM SINKBOWL**

OTHER
PRODUCT
R:100

CONI TANGO
CORNER RADIUS 30

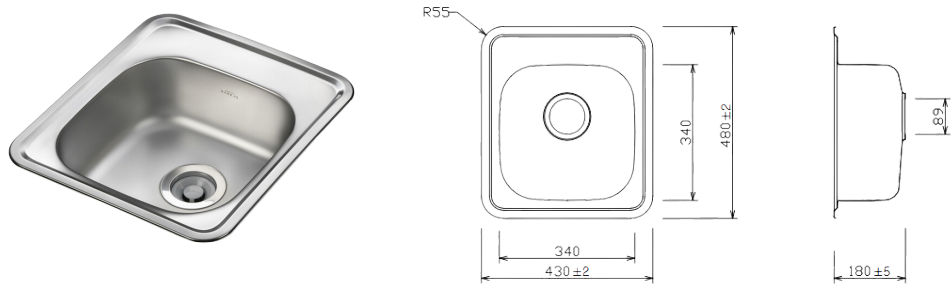
WATERWAY DESIGN

High water drainage effect

**INSERT SINK
SERIES**



IS 430



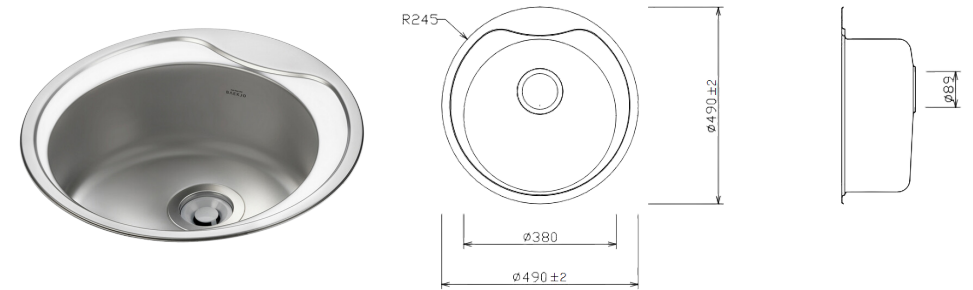
information

Product Dimension (LxWxD) **430 X 480 X 185**
 Material **stainless steel 304 - 18/8**
 Thickness **0,8 mm**
 Corner **R 55**
 Cutout Size (Topmount) **398 x 448 x R39**

Description

Satin finished coating
 termasuk Afur set diameter 89 mm
 opsional aksesoris, kran dingin/panas dingin,
 tempat sabun, pencuci botol

RS 490



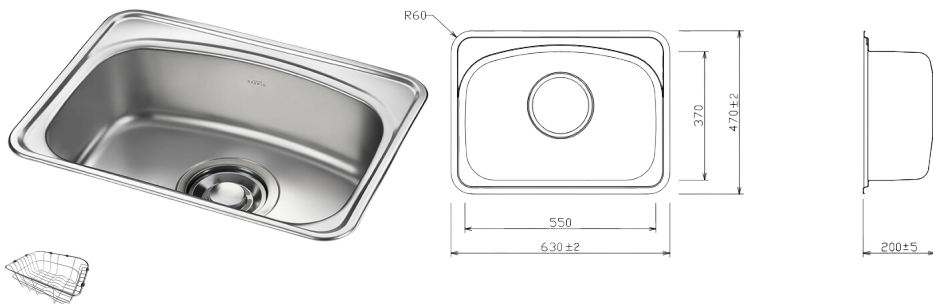
information

Product Dimension (LxWxD) **490 X 490 X 190**
 Material **stainless steel 304 - 18/8**
 Thickness **0,8 mm**
 Corner **R 245**
 Cutout Size (Topmount) **466 x 466**

Description

Satin finished coating
 termasuk Afur set diameter 89 mm
 opsional aksesoris, kran dingin/panas dingin

BOLERO / OS 630



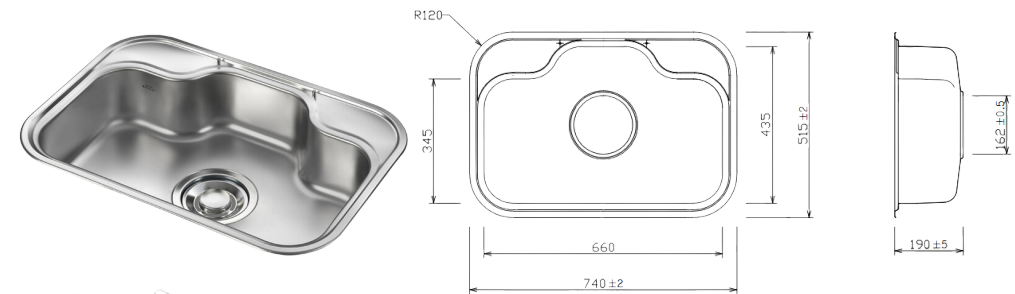
information

Product Dimension (LxWxD) **630 X 470 X 200**
 Material **stainless steel 304 - 18/8**
 Thickness **0,8 mm**
 Corner **R 60**
 Cutout Size (Topmount) **602 x 442 x R36**

Description

Satin finished coating
 termasuk Afur set diameter 162 mm fitting
 selang fleksibel, wire basket stainless 304
 opsional aksesoris, kran dingin/panas dingin,
 tempat sabun, pencuci botol,

DS 740



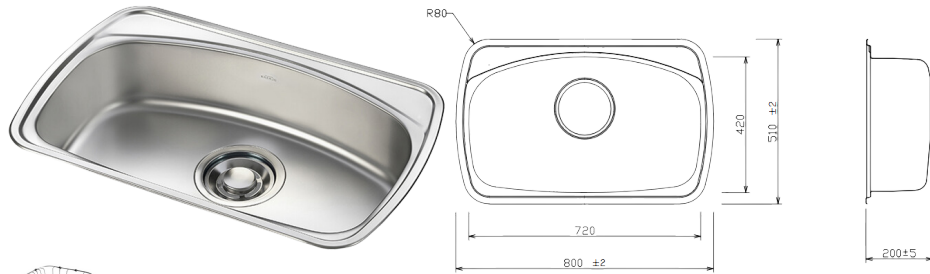
information

Product Dimension (LxWxD) **740 X 515 X 190**
 Material **stainless steel 304 - 18/8**
 Thickness **0,8 mm**
 Corner **R 120**
 Cutout Size (Topmount) **712 x 487 x R106**

Description

Satin finished coating
 termasuk Afur set diameter 162 mm fitting
 selang fleksibel, wire basket stainless 304
 besar dan kecil
 opsional aksesoris, kran dingin/panas dingin,
 tempat sabun, pencuci botol

JAZZ / OS 800



information

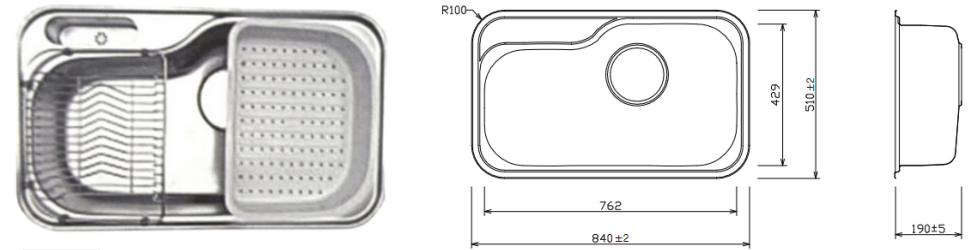
Product Dimension (LxWxD)
Material
Thickness
Corner
Cutout Size (Topmount)

800 X 510 X 200
stainless steel 304 - 18/8
0,8 mm
R 80
Template paper

Description

Satin finished coating
termasuk Afur set diameter 162 mm, wire basket stainless 304
opsional aksesoris, kran dingin/panas dingin, tempat sabun, pencuci botol

SALSA



information

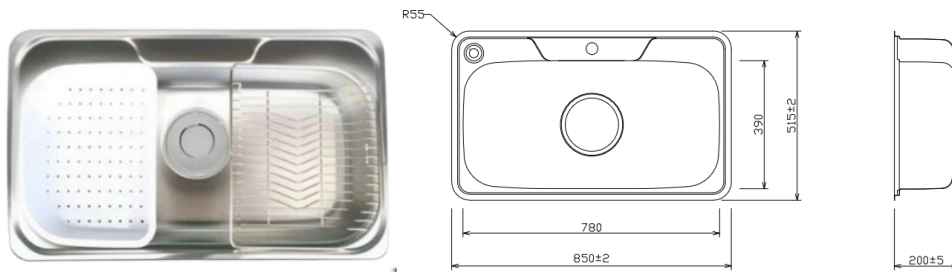
Product Dimension (LxWxD)
Material
Thickness
Corner
Cutout Size (Topmount)

840 X 510 X 190
stainless steel 304 - 18/8
0,8 mm
R 100
308 x 478 x R84

Description

Satin finished coating
termasuk Afur set diameter 162 mm, wire basket stainless steel 304 dan colander plastik
opsional aksesoris, kran dingin/panas dingin

SWING



information

Product Dimension (LxWxD)
Material
Thickness
Corner
Cutout Size (Topmount)

850 X 515 X 200
stainless steel 304 - 18/8
0,8 mm
R 55
822 X 487 X R41

Description

Satin finished coating
termasuk Afur set diameter 162 mm, wire basket stainless, colander plastik
opsional aksesoris, kran dingin/panas dingin, tempat sabun, pencuci botol

TANGO



information

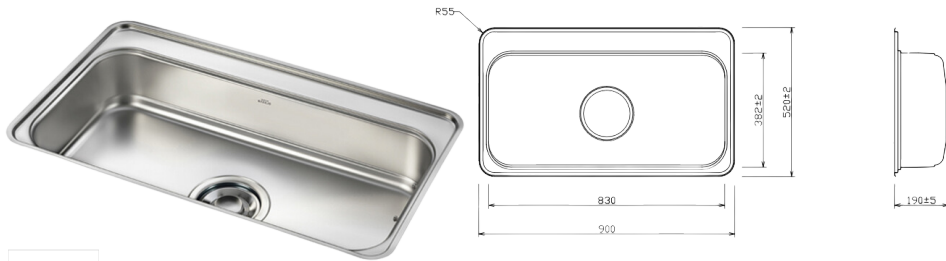
Product Dimension (LxWxD)
Material
Thickness
Corner
Cutout Size (Topmount)

850 X 515 X 200
stainless steel 304 - 18/8
0,8 mm
R 55
822 x 487 x R41

Description

Satin finished coating
termasuk Afur set diameter 162 mm, wire basket, pocket basket dan colander stainless
opsional aksesoris, kran dingin/panas dingin, tempat sabun, cutting board

3D 900



information

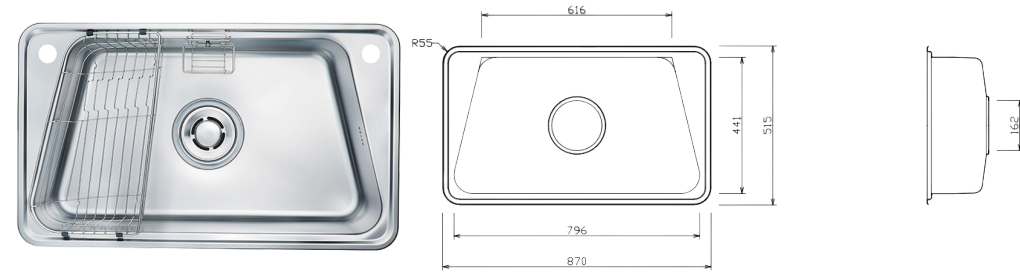
Product Dimension (LxWxD)
Material
Thickness
Corner
Cutout Size (Topmount)

900 X 520 X 190
stainless steel 304 - 18/8
0,8 mm
R 55
878 x 498 x R44

Description

Satin finished coating
termasuk Afur set diameter 162 mm, wire basket stainless, wire mat stainless
opsional aksesoris, kran dingin/panas dingin, tempat sabun, alat cuci botol

ZUMBA



information

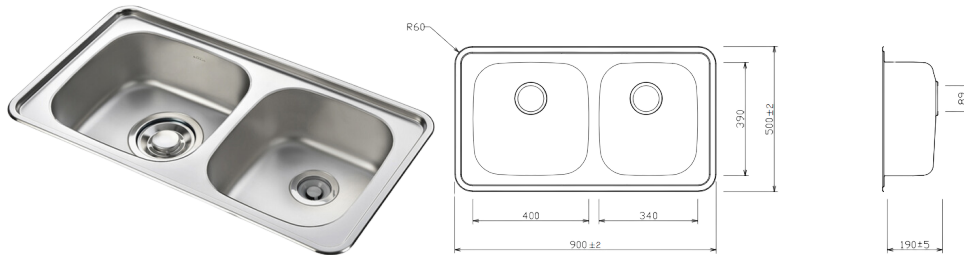
Product Dimension (LxWxD)
Material
Thickness
Corner
Cutout Size (Topmount)

870 X 515 X 200
stainless steel 304 - 18/8
0,8 mm
R 55
340 x 485 x R40

Description

Satin finished coating
termasuk Afur set diameter 162 mm, wire basket stainless, pocket basket stainless,
opsional aksesoris, kran dingin/panas dingin, tempat sabun, pencuci botol

ID 900



information

Product Dimension (LxWxD)
Material
Thickness
Corner
Cutout Size (Topmount)

900 X 500 X 190
stainless steel 304 - 18/8
0,8 mm
R 60
876 x 476 x R48

Description

Satin finished coating
termasuk Afur set diameter 162 mm + 89 mm
opsional aksesoris, kran dingin/panas dingin, tempat sabun

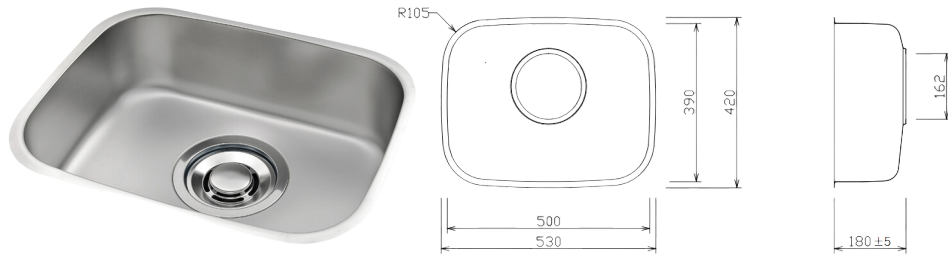
A photograph of a modern kitchen sink. The sink is a stainless steel undermount style, set into a light-colored granite countertop. A chrome faucet is positioned to the right of the sink. A chrome wire basket is mounted under the sink, holding a wooden cutting board, a white plate with a knife and a lemon, and two more lemons. The background is a plain, light-colored wall.

PREMIUM UNDER MOUNT SERIES

HUBUNGI :  QHOME MART

08112863773
CHAT ONLY

IS 530



information

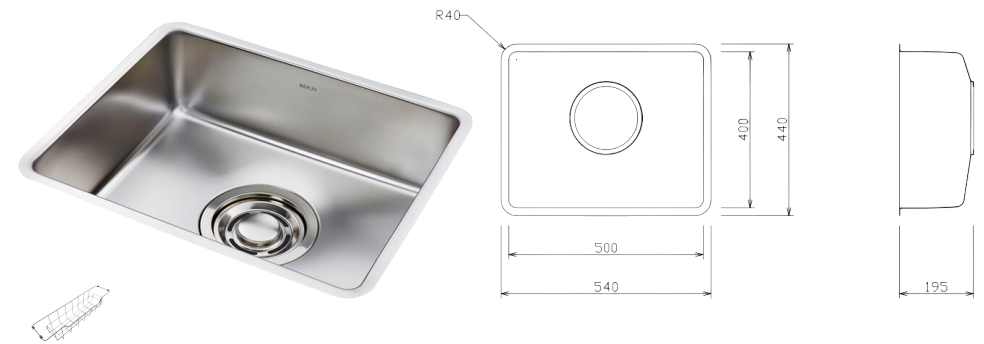
Product Dimension (LxWxD)
Material
Thickness
Corner
Cutout Size (undermount)

530 X 420 X 180
stainless steel 304 - 18/8
0,8 mm
R 105
template paper

Description

Satin finished coating
termasuk Afur set diameter 162 mm
opsional aksesoris, wire basket extend

GD 540



information

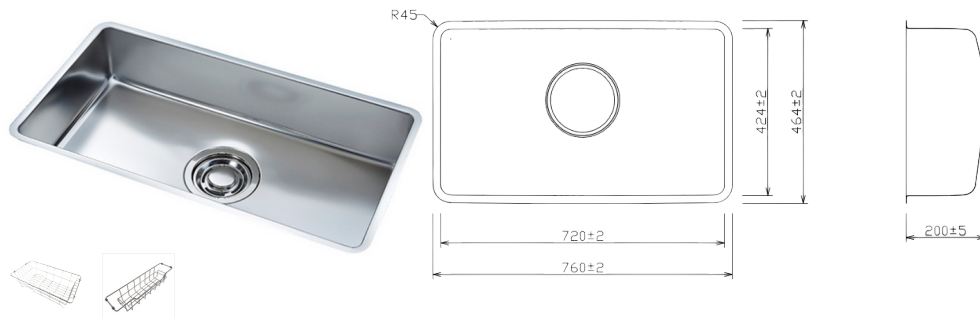
Product Dimension (LxWxD)
Material
Thickness
Corner
Cutout Size (undermount)

540 X 440 X 195
stainless steel 304 - 18/8
0,8 mm
R 40
508 x 408 x R24

Description

Satin finished coating
termasuk Afur set diameter 162 mm, wire
basket stainless
opsional aksesoris, wire basket extend

GD 760



information

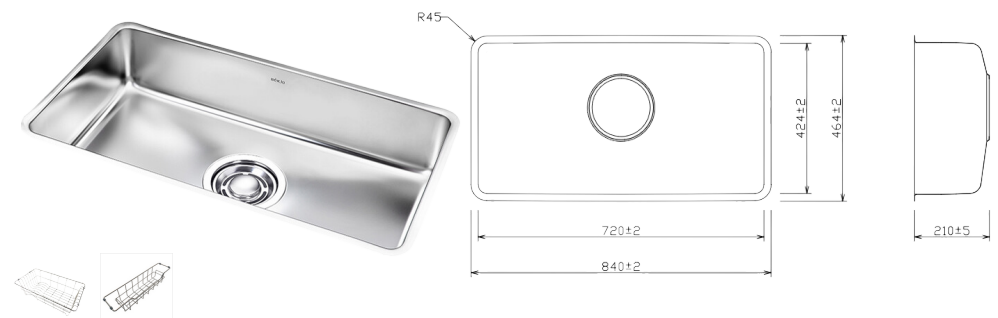
Product Dimension (LxWxD)
Material
Thickness
Corner
Cutout Size (undermount)

760 X 464 X 200
stainless steel 304 - 18/8
0,8 mm
R 45
728 x 432 x R29

Description

Satin finished coating
termasuk Afur set diameter 162 mm, wire
basket stainless besar dan kecil
opsional aksesoris, wire basket extendable

BJ 840



information

Product Dimension (LxWxD)
Material
Thickness
Corner
Cutout Size (undermount)

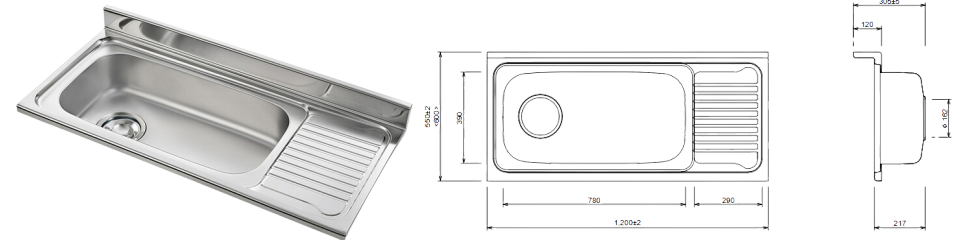
840 X 464 X 210
stainless steel 304 - 18/8
0,8 mm
R 45
808 x 432 x R29

Description

Satin finished coating
termasuk Afur set diameter 162 mm, wire
basket stainless besar dan kecil,
opsional aksesoris wire basket extendable



JS 1200 L R



information		Description
Product Dimension (LxWxD)	1200 X 600 X 305	Satin finished coating
Material	stainless steel 304 - 18/8	termasuk Afur set diameter 162 mm
Thickness	0,8 mm	opsional aksesoris, cutting board
Corner		
Cutout Size (Topmount)	under set	

LSD 1200 L R



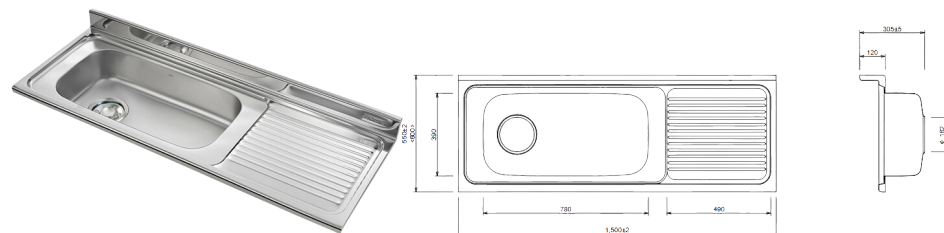
information		Description
Product Dimension (LxWxD)	1200 X 550 X 290	Satin finished coating
Material	stainless steel 304 - 18/8	termasuk Afur set diameter 162 mm dan 89 mm
Thickness	0,8 mm	opsional aksesoris, wire basket cutting board
Corner	-	
Cutout Size (Topmount)	under set	



LAY ON SINKS



JS 1500



information

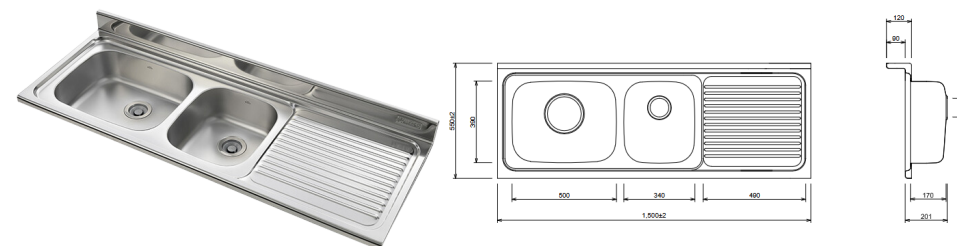
Product Dimension (LxWxD)
Material
Thickness
Corner
Cutout Size (Topmount)

1500 X 600 X 305
stainless steel 304 - 18/8
0,8 mm
-
under set

Description

Satin finished coating
termasuk Afur set diameter 162 mm
opsional aksesoris, wire basket, cutting board

LSD 1500



information

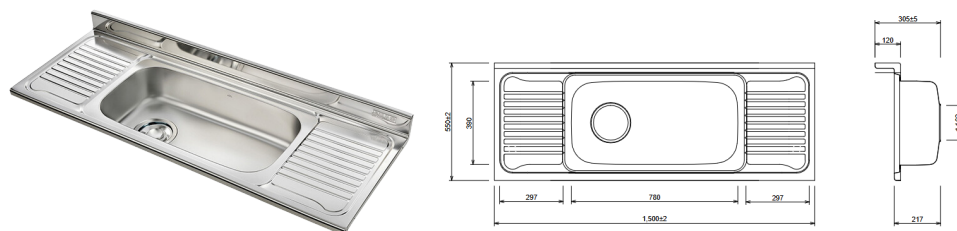
Product Dimension (LxWxD)
Material
Thickness
Corner
Cutout Size (Topmount)

1500 X 550 X 290
stainless steel 304 - 18/8
0,8 mm
-
under set

Description

Satin finished coating
termasuk Afur set diameter 162 mm dan 89 mm
opsional aksesoris wire basket, cutting board

JSC 1500



information

Product Dimension (LxWxD)
Material
Thickness
Corner
Cutout Size (Topmount)

1500 X 550 X 305
stainless steel 304 - 18/8
0,8 mm
-
under set

Description

Satin finished coating
termasuk Afur set diameter 162 mm
opsional aksesoris, wire basket, cutting board



 GONI CICO

B 770



information

Product Dimension (LxWxD)
Material
Thickness
Corner
Cutout Size (undermount)

798 X 418 X 190
stainless steel 304 - 18/8
0,8 mm

Description

Satin finished coating
termasuk Afur set diameter 162 mm
opsional aksesoris, cutting board, wire basket

ISS 1000



information

Product Dimension (LxWxD)
Material
Thickness
Corner
Cutout Size (Topmount)

1000 X 480 X 190
stainless steel 304 - 18/8
0,8 mm
-

Description

Satin finished coating
termasuk Afur set diameter 162 mm
opsional aksesoris, wire basket cutting board

NISD 870



information

Product Dimension (LxWxD)
Material
Thickness
Corner
Cutout Size (Topmount)

870 X 480 X 130
stainless steel 304 - 18/8
0,8 mm
-

Description

Satin finished coating
termasuk Afur set diameter 162 mm dan 89,
colander plastik
opsional aksesoris, wire basket, cutting board

ISB 1100



information

Product Dimension (LxWxD)
Material
Thickness
Corner
Cutout Size (Topmount)

1100 X 490 X 190
stainless steel 304 - 18/8
0,8 mm
-

Description

Satin finished coating
termasuk Afur set diameter 162 mm dan 89 mm
opsional aksesoris wire basket



SWING



information

Product Dimension (LxWxD)	850 X 515 X 200
Material	stainless steel 304 - 18/8
Thickness	0,8 mm
Corner	R 55
Cutout Size (Topmount)	822 X 487 X R41

Paket sudah termasuk

- Kran dingin CONI KST 503 S
- Wire basket stainless + colander plastik
- Soap dispenser 350 mm dan cutting board
- Termasuk Afur set diameter 162 mm
- Fitting selang fleksibel

ZUMBA



information

Product Dimension (LxWxD)	870 X 515 X 200
Material	stainless steel 304 - 18/8
Thickness	0,8 mm
Corner	R 55
Cutout Size (Topmount)	340 x 485 x R40

Paket sudah termasuk

- Kran tarik panas dingin QUADRA QF 825 S
- wire basket dan small basket stainless
- soap dispenser 350 mm
- cutting board (selama persediaan masih ada)
- Afur set diameter 162 mm



SPECIAL PACKAGE



information

Product Dimension (LxWxD)	850 X 515 X 200
Material	stainless steel 304 - 18/8
Thickness	0,8 mm
Corner	R 55
Cutout Size (Topmount)	822 x 487 x R41

Paket sudah termasuk

- Kran panas dingin CONI SSM 501 S
- Wire basket dan pocket basket stainless
- colander stainless dan cutting board tango
- soap dispenser 500 mm
- termasuk Afur set diameter 162 mm



Pilihan paket spesial terdapat pada catalog terpisah



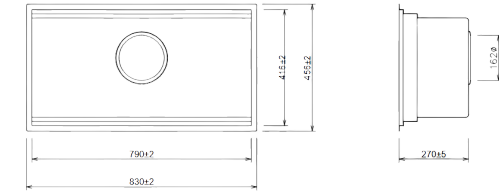
- Engineered To Be Exceptional

HAND MADE SERIES

We believe in the power of design to transform ordinary environments into beautiful spaces.

We strive to inspire and empower consumers by creating kitchen and bathroom fixtures that raise industry standards of quality, functionality, value, and style.

LD 830



information

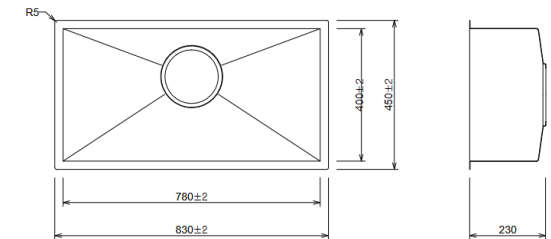
Description

Product Dimension (LxWxD)
Material
Thickness
Corner
Cutout Size (Topmount)

830 X 456 X 270
stainless steel 304 - 18/10
1,2 mm
R 5
798 x 424

Satin finished coating
Termasuk Afur set diameter 162 mm, drain board dan drain cover

SQS (R) 780



information

Description

Product Dimension (LxWxD)
Material
Thickness
Corner
Cutout Size (Topmount)

830 X 450 X 245
stainless steel 304 - 18/10
1,2 mm
R 5
788 x 408

Satin finished coating
Termasuk Afur set diameter 162 mm



**FAUCET
&
TAP**



KRAN DINGIN



**KST 503 S
STAINLESS**



**KST 505
CHROMED**



**KST 513 S
TEMBOK STAINLESS**



**KST 502 S
STAINLESS**



**KST 507 S
STAINLESS**



**KSM 5120
PANAS DINGIN**

KRAN PANAS DINGIN



SSM 501 S



SSM 552 S

STOP KRAN



SK 010 B



SK 010 C



SKT 010



COVER TUTUP AFUR

Terbuat dari plastik PP kualitas terbaik

RING AFUR DIAMETER 162 MM

Terbuat dari stainless stell 304 dengan ketebalan 2 mm

TUTUP AFUR

Terbuat dari plastik PP kualitas terbaik

KERANJANG SAMPAH AFUR BESAR

Terbuat dari stainless stell 304 dengan ketebalan 2 mm

COVER PENAHAN BAU

Terbuat dari plastik PP kualitas terbaik

BODY AFUR DIAMETER LUAR 180 MM

Terbuat dari plastik PP kualitas terbaik

Bêkjo
SINCE 1964
MADE IN KOREA



KOREAN PREMIUM SINKBOWL



HUBUNGI:



WWW.QHOMEMART.COM

JL.RAYA JANTI NO.96 YOGYAKARTA
(0274) 493 22 88 , 08112863773 (CHAT ONLY)

qhomemart qhomemart qhomemart qhomemart