



THE NEW GENERATION

# ELECTRONIC LOCK

Electronic Lock

Card Lock Hotel

Accessories for Digital Lock

HUBUNGI :  **QHOME MART**

**08112863773**  
CHAT ONLY

# THE NEW MODERN LIFESTYLE



Digitalization is a part of modern life. The latest technology has allowed accessory for door and window to be smarter, more practical, and more secure. Dekkson as one the leading architectural hardware brand in Indonesia offer a range of electronic locks with highly dependable quality.

There's two type of electronic lock, Cardlock Hotel, an electronic lock with integrated support system for hotel use; and Stand Alone Electronic Lock, easy to install and easy to use variant of electronic lock that are suitable for homes and apartments.

So, do not hesitate to use Dekkson Electronic Lock. Welcome to the future!

# TABLE OF CONTENT

## 3

### Electronic Lock

3	ELP 9519 MF FIN PASS 3D
5	ELP 9419 MF FIN PASS DV (DEON/TUYA)
7	EL 9318 MF PASS BT W37
8	EL 9318 MF PASS BT W17
9	EL 9318 MF PASS BT W03
10	EL 9318 MF PASS BT R07
11	EL 9318 MF PASS BT R37
12	EL 9318 MF PASS BT A27
13	EL 9318 MF PASS BT RF08
15	EL D-01
17	EL D-21
18	EL 9113 MF FIN PASS

## 19

### Card Lock Hotel

19	CLH 2002 MF
20	CLH 2001 MF
21	CLH 2201 MF

## 22

### Other Accessories

21	Energy Saving Switches & Doorbell, Cabinet Lock and Safety Box
----	---

## 23

### Smart Glass Door Lock

23	G-01
----	------

## 25

### Project References

25	Project References
----	--------------------

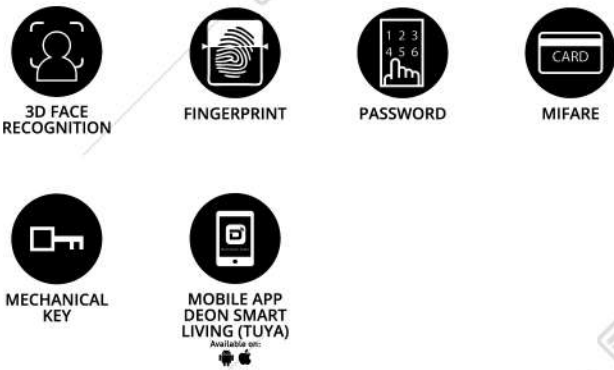


# ELECTRONIC LOCK

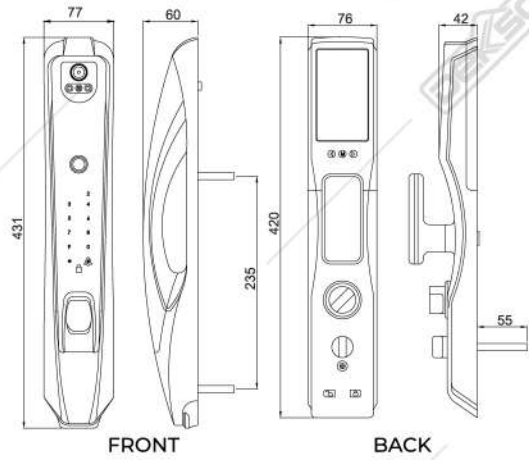
## ELP 9519 MF FIN PASS 3D



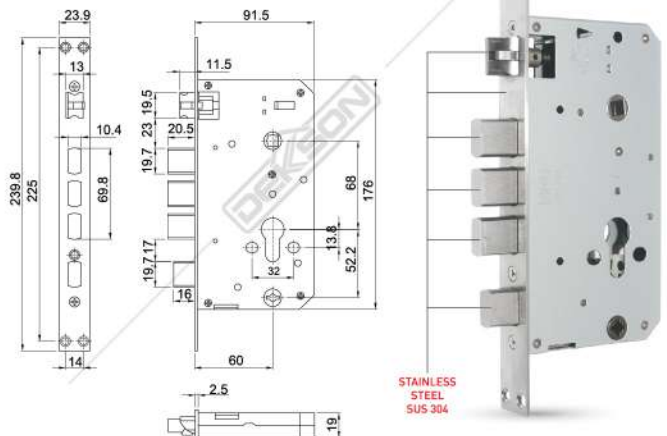
### Access



### Specifications



### Features





Deon Smart Living

www.dekxon.com

HUBUNGI :  QHOME MART

08112863773  
CHAT ONLY

# ELECTRONIC LOCK

## ELP 9419 MF FIN PASS DV

**3 YEAR MECHANICAL WARRANTY**



### Access



FINGERPRINT



PASSWORD



MIFARE

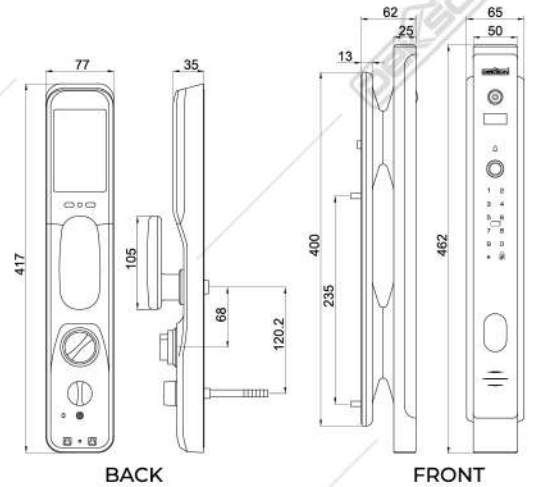


MECHANICAL KEY



MOBILE APP  
DEON SMART  
LIVING (TU YA)  
Available on

### Specifications



### Features



Lithium Battery  
(Rechargeable)



Low Power Warning  
(Micro USB backup power)



Digital Door View



Anti Peeping Code



Unlock History



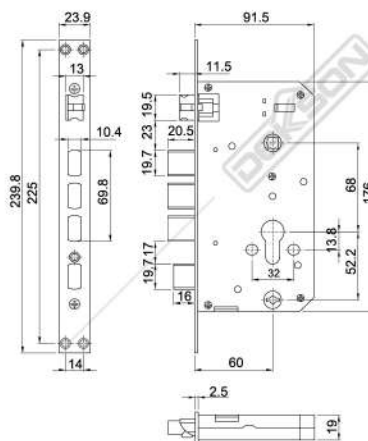
Doorbell



Auto & Manual Locking System



1 year  
ELECTRICAL WARRANTY



Live Camera Display

Rubber Seal



Digital Door View

Display Screen

Doorbell

Fingerprint

Password

Mifare Card

Mechanical Key

Micro USB

Auto & Manual Locking System



Paris, France

London, UK



Deon Smart Living

# ELECTRONIC LOCK

## ELC 9318 MF PASS BT



### Access



FINGERPRINT



PASSWORD



MIFARE



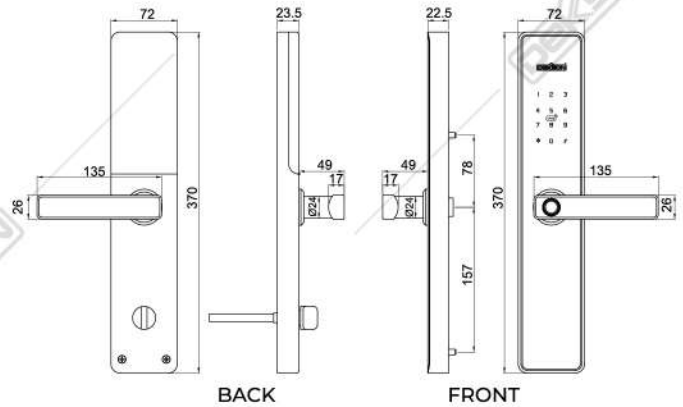
MECHANICAL KEY



MOBILE APPS  
(DEON/TUYA  
OR TTLock)  
Available on:



### Specifications



### Features



Battery Power  
AA Alkaline  
4 pcs



Low Power Warning  
(Micro USB  
backup power)



Turn up handle  
for lock



Anti Peeping  
Code



Unlock  
History



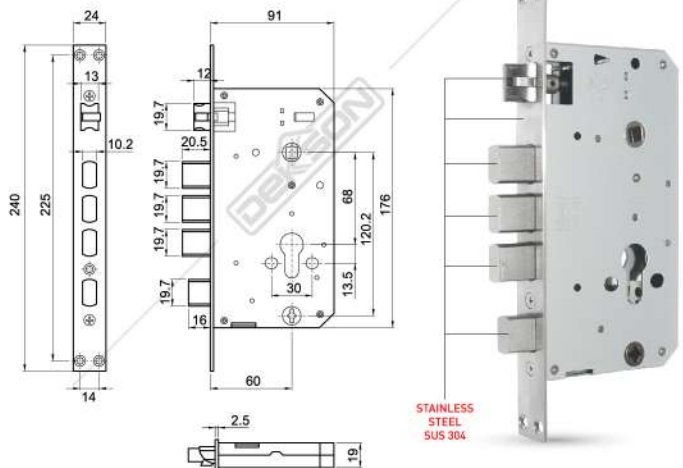
Access Sharing



Real Time  
Notification  
Records



1 year  
ELECTRICAL  
WARRANTY













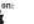
# ELECTRONIC LOCK

## ELC 9318 MF PASS BT

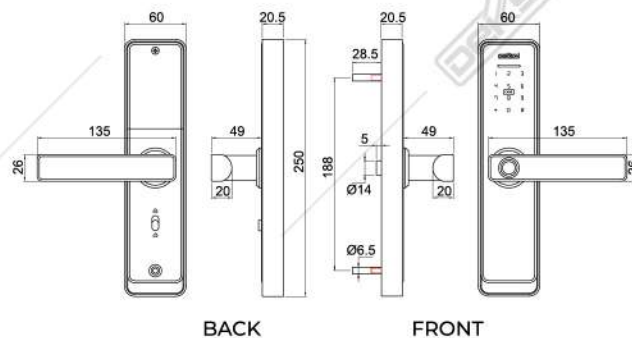


W17



### Access

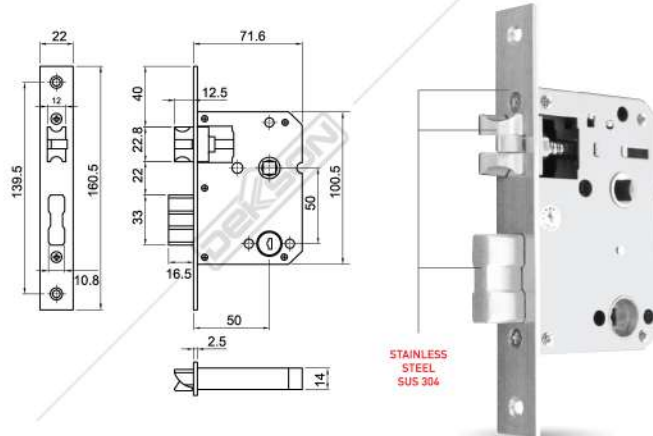
-  FINGERPRINT
-  PASSWORD
-  MIFARE
-  MECHANICAL KEY
-  MOBILE APPS (DEON/TUYA OR TTLock)  
Available on:  
 

### Specifications



### Features

-  Battery Power AAA Alkaline 4 pcs
-  Low Power Warning (Micro USB backup power)
-  Turn up handle for lock
-  Unlock History
-  Real Time Notification Records
-  Access Sharing
-  Anti Peeping Code
-  1 year ELECTRICAL WARRANTY









# ELECTRONIC LOCK

## ELC 9318 MF PASS BT

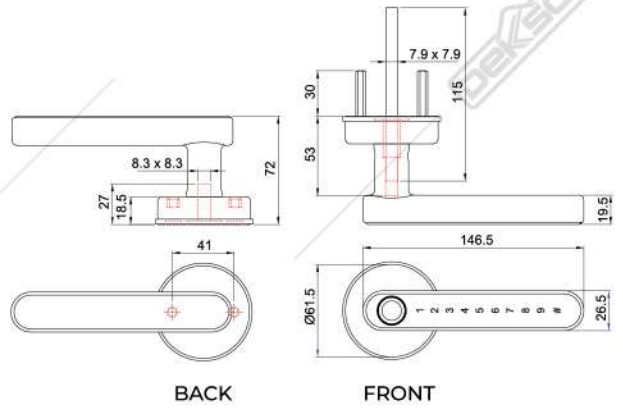


**W03**









### Access

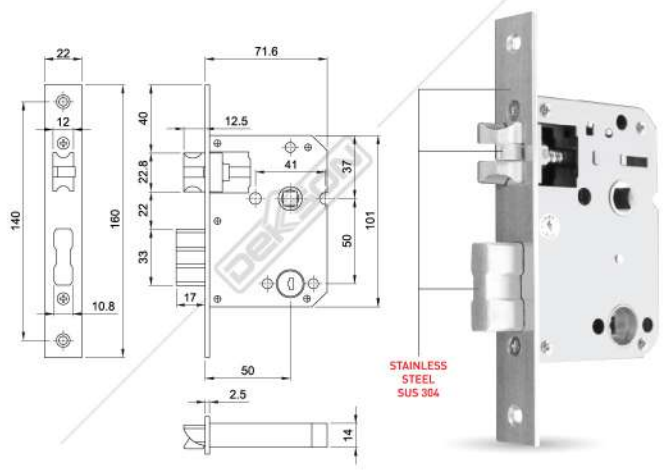
-   
FINGERPRINT
-   
PASSWORD
-   
MECHANICAL KEY
-   
TTLock  
Available on:  
 

### Specifications



### Features

-   
Battery Power  
AAA Alkaline  
4 pcs
-   
Low Power Warning  
(Micro USB  
backup power)
-   
Turn up  
handle for  
lock
-   
Unlock  
History
-   
Real Time  
Notification  
Records
-   
Access Sharing
-   
Anti Peeping  
Code
-   
**1**  
YEAR  
ELECTRICAL  
WARRANTY





# ELECTRONIC LOCK

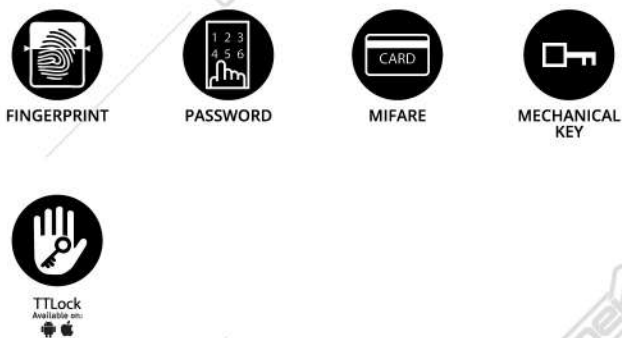
## ELC 9318 MF PASS BT



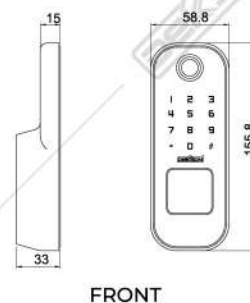
Stainless Steel SUS 304

**R07**

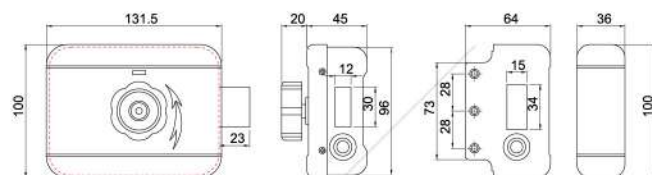
### Access



### Specifications



FRONT



BACK

### Features



# ELECTRONIC LOCK

## ELC 9318 MF PASS BT



Available color : Silver, Black



### Access



FINGERPRINT



PASSWORD



MIFARE



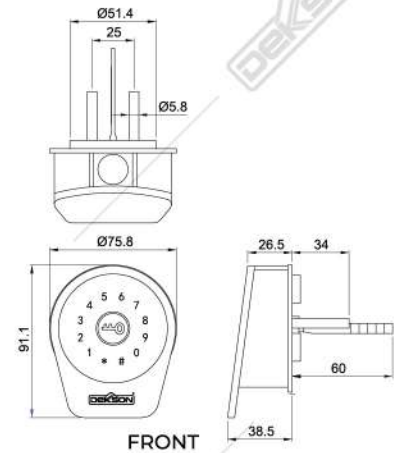
MECHANICAL KEY



TTLock  
Available on:



### Specifications



FRONT

### Features



Battery Power  
AAA Alkaline  
4 pcs



Low Power Warning  
(Micro USB  
backup power)



Access Sharing



Anti Peeping Code



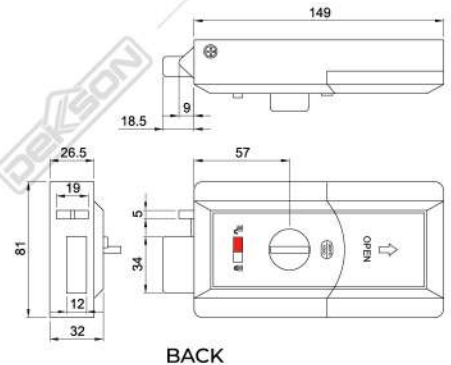
Unlock History



Real Time Notification Records



1 year  
ELECTRICAL  
WARRANTY



BACK



**A27** Color : Chrome Silver

# ELECTRONIC LOCK

## ELC 9318 MF PASS BT



Available color : Chrome Silver, Chrome Black  
Material : Stainless Steel SUS 304

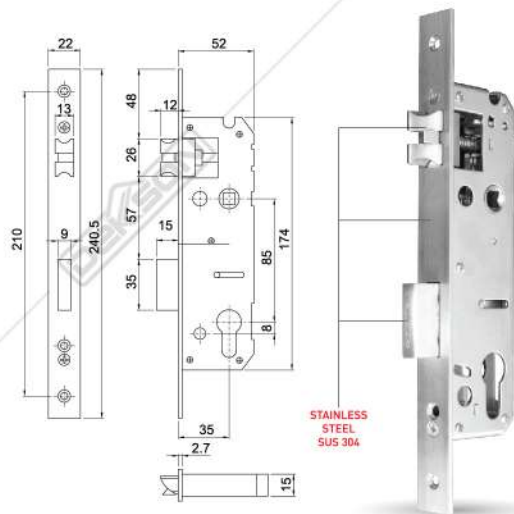
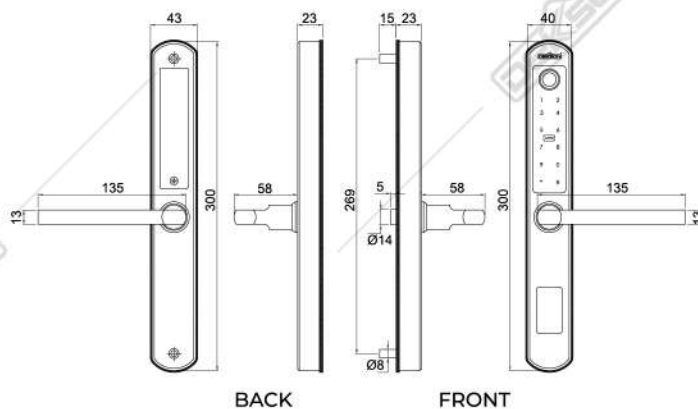
### Access



### Features



### Specifications



# ELECTRONIC LOCK

## ELC 9318 MF PASS BT

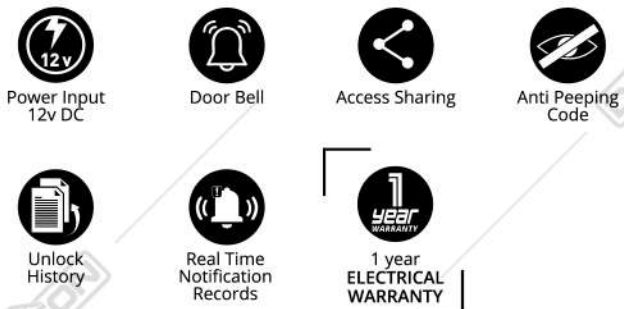


**RF08**

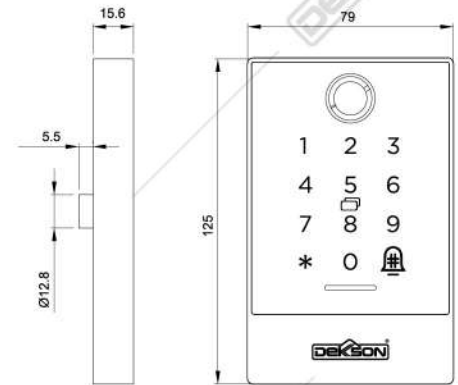
### Access



### Features



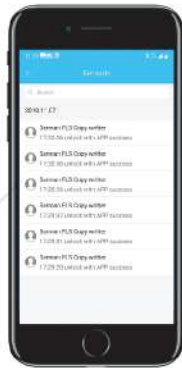
### Specifications



### ACCESSORIES



## FEATURES



Data Record



Send e-Key



### ACCESS SHARING (Password & e-Key)

- **Generate Passcode**  
Generate unique password for guest.
- **Send e-Key**  
Share mobile app access directly to guest's smartphone.



### DATA RECORD

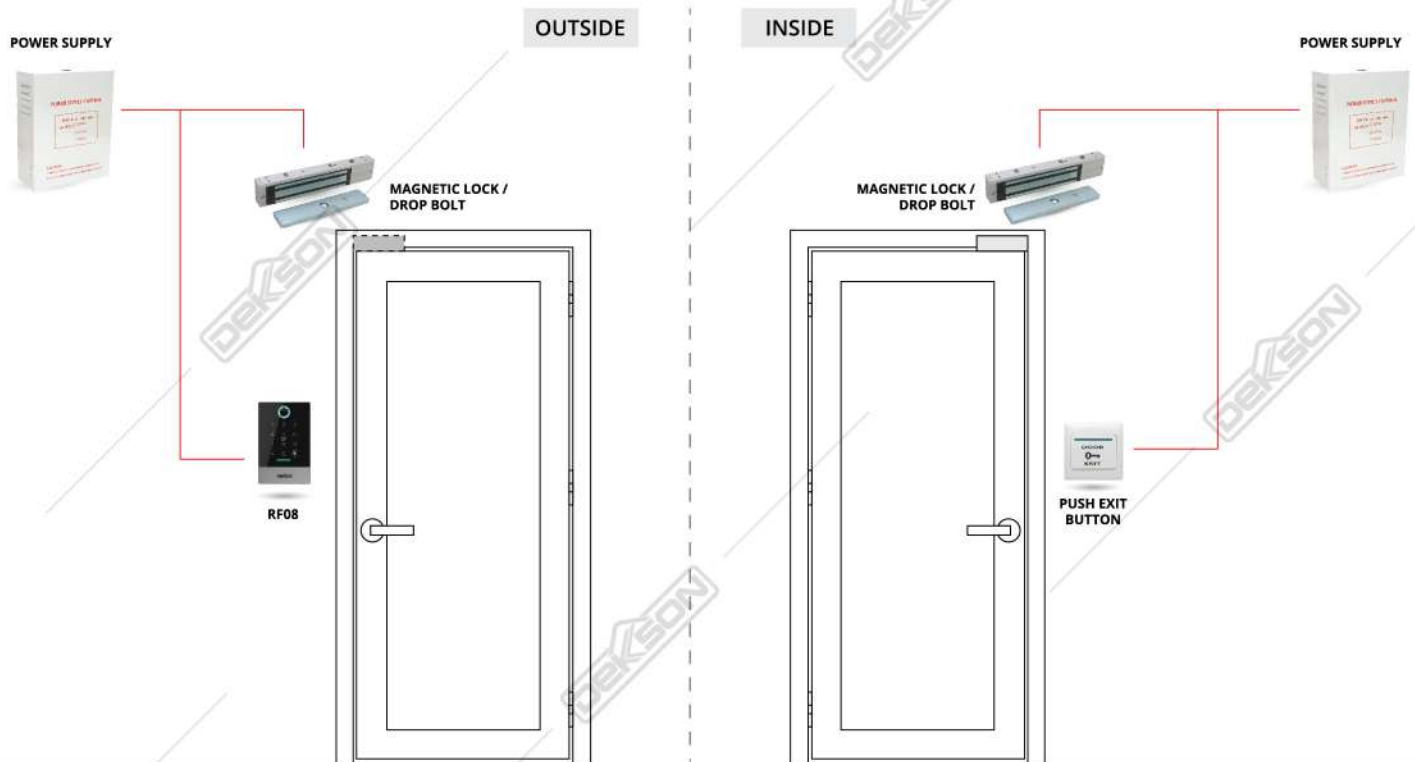
**Access Record**  
All access is recorded by the apps.



### REMOTE ACCESS

- Open lock through smartphone from anywhere on earth.
- Lock setting can be managed remotely, without the need to even touch the lock.

## ACCESS CONTROL SYSTEM



### SUITABLE FOR :



Aluminium / Glass Door



Steel Door



Wooden Door

# ELECTRONIC LOCK

## EC-D01



Available : 70mm & 80mm  
Available Color : Black & Silver

### Access



FINGERPRINT



MIFARE



MECHANICAL KEY



MOBILE APP  
DEON (TUYA)  
Available on:  
Android, iOS

### Features



Battery Power  
cr123a



Low Power  
Warning (USB Type C  
backup power)



Turn Up Knob  
For Lock



Unlock  
History

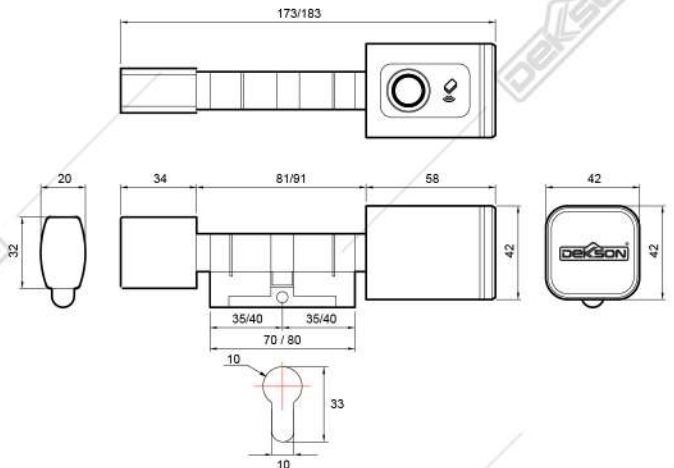


Access Sharing



1 year  
ELECTRICAL  
WARRANTY

### Specifications





ACCESS CONTROL EC-D01



# ELECTRONIC LOCK

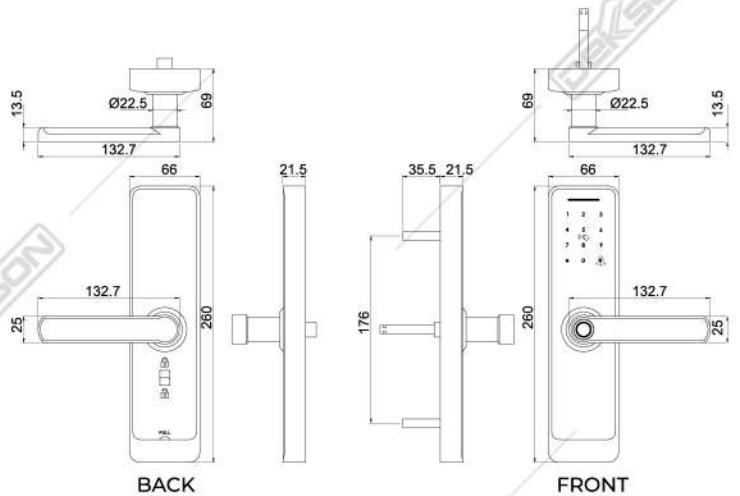
## EL D-21



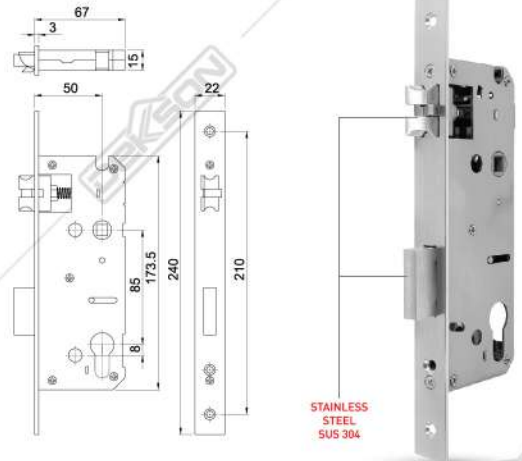
### Access



### Specifications



### Features



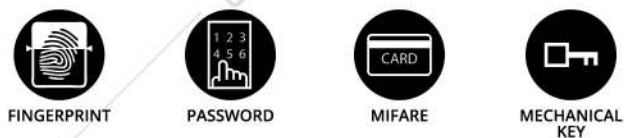


# ELECTRONIC LOCK

## EL 9113 MF FIN PASS



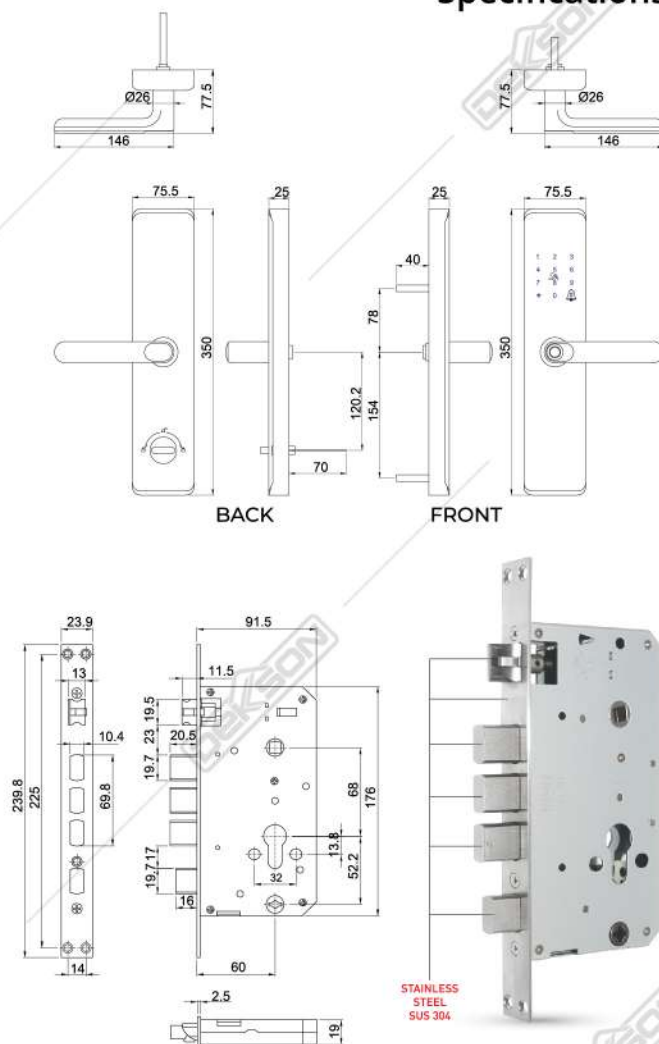
### Access



### Features



### Specifications



# CARD LOCK HOTEL

## CLH 2002 MF



### Accessories



**ENCORDER READ / WRITE 2200 MF**  
State of the art auto-card detection technology. Ideal for use with multiple stations



**AUTHORIZED CARD**  
Keycards registered to DEKSON software for Cardlock Hotel setup



**CONTACTLESS CARD 2001 / 2201 MF**  
Durable contact-free Philips Mifare Technology. Also available as plastic key fob, wristwatch or epoxy sticker



**RECORD / INFORMATION CARD 2001 / 2201 MF**  
Upload and download both lock and computer information data easily



**CARD READER ACCESS CONTROL 2001 / 2200 MF**  
Limit the access right of users and increase the security level. Door access can be operated with one card



**SOFTWARE**  
Easy to install. Compatible with Windows 2000 / 2003 / XP Pro / 7 / Vista / 8 / 10



**ES SWITCH 2001 / 2201 MF**  
Energy saving switch all mifare. Compatible for CLH 2000 MF, 2200 MF & 2202 MF

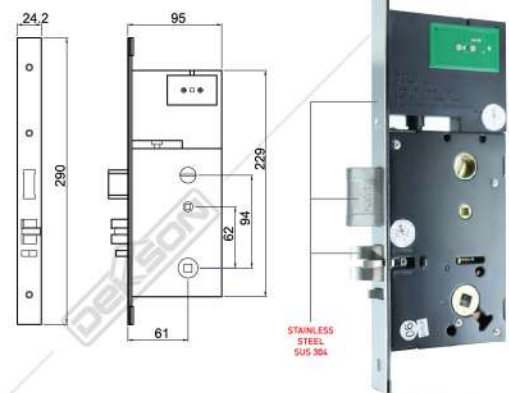
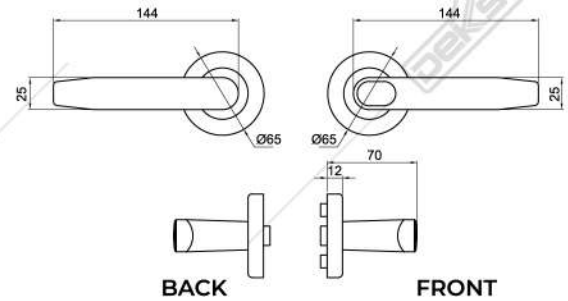


**ES SWITCH 2001 / 2201 MF CORRECT ROOM**



**ELEVATOR READER 2001 / 2201 MF (FOR 16 FLOORS)**  
Mini external reader is available to support lift panel. Allow access card (mifare) to double as elevator access. Same management software with hotel lock. Allow up to 2000 entries record. [Available: For 32, 48, 64 FLOORS]

### Specifications



**1 year**  
**ELECTRICAL**  
**WARRANTY**

**3 YEAR**  
MECHANICAL  
WARRANTY

**DEKSON**  
QUALITY IS THE KEY

# CARD LOCK HOTEL

## CLH 2001 MF



Material : Stainless Steel SUS 304

### Accessories



**ENCORDER MF CARD READ WRITE PRO 2201/2001 MF**  
State of the art auto-card detection technology. Ideal for use with multiple stations



**AUTHORIZED CARD**  
Keycards registered to DEKSON software for Cardlock Hotel setup



**CONTACTLESS CARD 2001 / 2201 MF**  
Durable contact-free Philips Mifare Technology. Also available as plastic key fob, wristwatch or epoxy sticker



**RECORD / INFORMATION CARD 2001 / 2201 MF**  
Upload and download both lock and computer information data easily



**CARD READER ACCESS CONTROL 2001 / 2200 MF**  
Limit the access right of users and increase the security level. Door access can be operated with one card



**SOFTWARE**  
Easy to install. Compatible with Windows 2000 / 2003 / XP Pro / 7 / Vista / 8 / 10



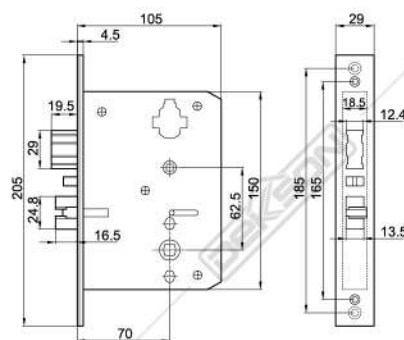
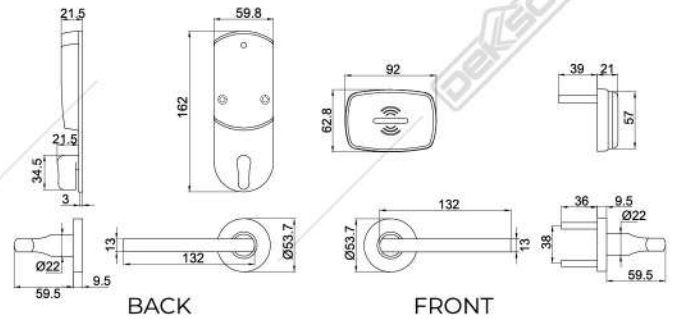
**ES SWITCH 2001 / 2201 MF**  
Energy saving switch all mifare. Compatible for CLH 2000 MF, 2200 MF & 2202 MF



**ES SWITCH 2001 / 2201 MF CORRECT ROOM**



**ELEVATOR READER 2001 / 2201 MF (FOR 16 FLOORS)**  
Mini external reader is available to support lift panel. Allow access card (mifare) to double as elevator access. Same management software with hotel lock. Allow up to 2000 entries record. (Available: For 32, 48, 64 FLOORS)



**1 YEAR**  
ELECTRICAL  
WARRANTY

# CARD LOCK HOTEL

## CLH 2201 MF



STAINLESS STEEL SUS 304



### Accessories



#### ENCODER MF CARD READ WRITE PRO 2201/2001 MF

State of the art auto-card detection technology. Ideal for use with multiple stations



#### AUTHORIZED CARD

Keycards registered to DEKSON software for Cardlock Hotel setup



CONTACTLESS CARD

#### CONTACTLESS CARD 2001 / 2201 MF

Durable contact-free Philips Mifare Technology. Also available as plastic key fob, wristwatch or epoxy sticker



RECORD / INFORMATION CARD

#### RECORD / INFORMATION CARD 2001 / 2201 MF

Upload and download both lock and computer information data easily



#### CARD READER ACCESS CONTROL 2001 / 2200 MF

Limit the access right of users and increase the security level. Door access can be operated with one card



#### SOFTWARE

Easy to install. Compatible with Windows 2000 / 2003 / XP Pro / 7 / Vista / 8 / 10



#### ES SWITCH 2001 / 2201 MF

Energy saving switch all mifare. Compatible for CLH 2000 MF, 2200 MF & 2202 MF



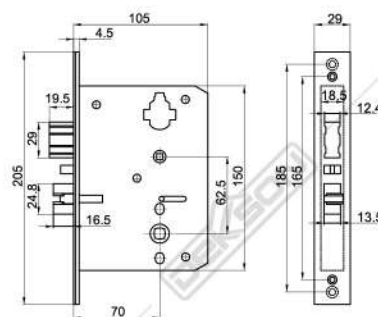
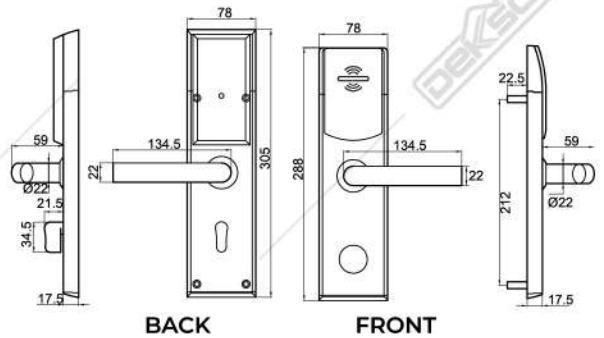
#### ES SWITCH 2001 / 2201 MF CORRECT ROOM



#### ELEVATOR READER 2001 / 2201 MF (FOR 16 FLOORS)

Mini external reader is available to support lift panel. Allow access card (mifare) to double as elevator access. Same management software with hotel lock. Allow up to 2000 entries record. [Available: For 32, 48, 64 FLOORS]

### Specifications



STAINLESS  
STEEL  
SUS 304



1 year  
ELECTRICAL  
WARRANTY

# OTHER ACCESSORIES

## CABINET LOCK



## ENERGY SAVING SWITCHES & DOORBELL



**ES SWITCH 808 NEW**  
For all card type.  
RFID / NON RFID



**ES SWITCH 809 NEW**  
For all proximity card.  
RFID 125 KHZ



**ES SWITCH  
2201 / 2001 MF**



**ES SWITCH  
2201 / 2001 MF  
CORRECT ROOM**  
For all mifare card 13,56 MHz  
Available color : White



**OPEN DOOR SWITCH**



**DB 3 IN 1**  
Door Bell Switch  
with "Don't Disturb &  
Make Up Room"

## SAFETY BOX SB 420

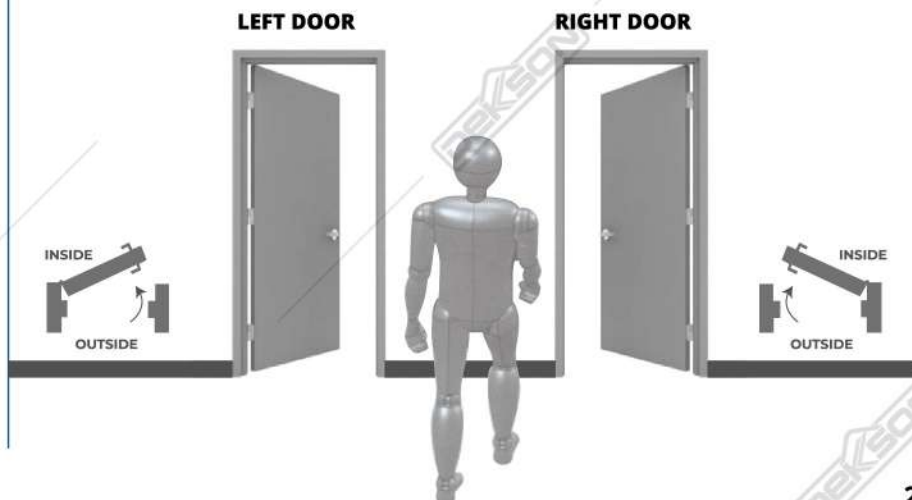


**DIMENSION :**  
420 (L) x 225 (H) x 380 (W)

### FEATURES :

- Solid safe body, Strong configuration, high strength and high quality steel plate ramming to shape.
- Different level management.
- Convenient to use.
- More safety.

## ELECTRONIC LOCK DOOR SWING DIRECTION



# SMART GLASS DOOR LOCK

## G01



### Access



FINGERPRINT



PASSWORD



MIFARE



MECHANICAL  
KEY

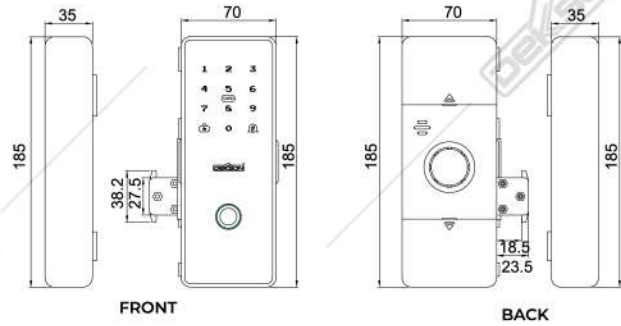


MOBILE APP  
DEON (TU YA)  
Available on  
Android & iOS



REMOTE CONTROL

### Specifications



FRONT

BACK

### Features



Battery Power  
AA Alkaline  
4 pcs



Door Bell



Anti Peeping  
Code



Voice  
Direction



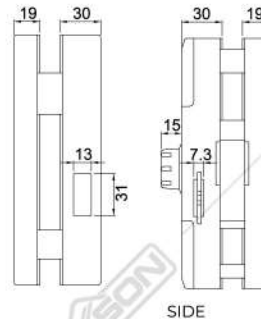
Auto & Manual  
Locking System



Low Power Warning  
(Micro USB backup  
power)



1 year  
ELECTRICAL  
WARRANTY



SIDE

### CONVENIENCE AT YOUR HAND

Unlock from up to 10 meters  
using remote control  
(Sold Separately)





SUITABLE for :



ALUMINIUM DOOR

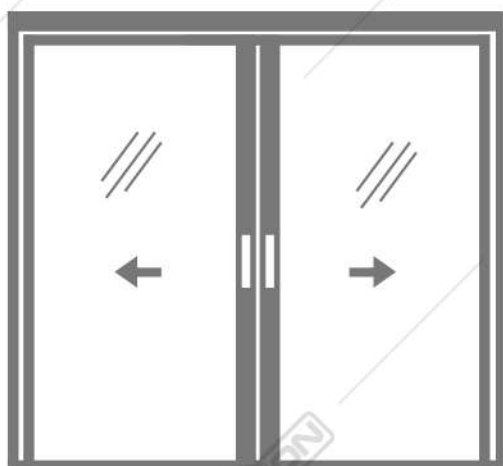


WOODEN DOOR

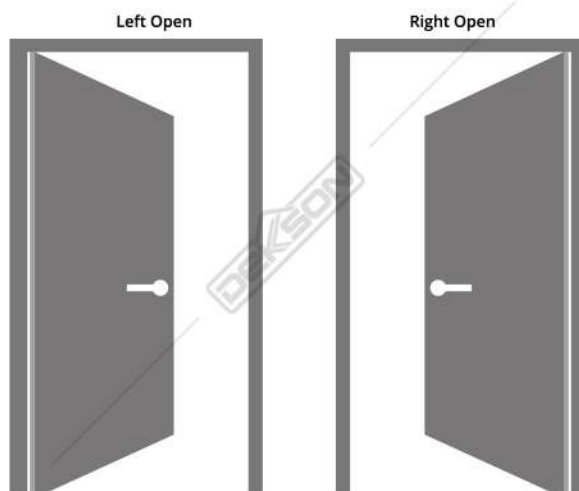


GLASS DOOR

DOOR SYSTEM :



Sliding Door



Swing Door

# PROJECT REFERENCES



**HOTEL ASTON, BATAM**



**HOTEL GOLDEN TULIP, PONTIANAK**



**QUBIKA BOUTIQUE HOTEL - BSD TANGERANG**



**HOTEL ARUSS - SEMARANG**



**HOTEL YELLO, JAKARTA**



**THE BOTANICA PESONA ALAM - BOGOR**

and many other project references

# PROJECT REFERENCES



**CLUSTER FREJA - BSD CITY RESIDENTIAL**



**CLUSTER MOZART - SYMPHONIA SUMMARECON SERPONG**



**ASYA - ASTRA MODERN LAND - JAKARTA GARDEN CITY**



**CLUSTER PASADENA - PARAMOUNT LAND GADING SERPONG**



**CLUSTER WISTERIA KEPPEL LAND - CAKUNG**



**CLUSTER FLORA - SUMMARECON BANDUNG**

*and many other project references*



HUBUNGI :



**QHOMEMART**

**JL.RAYA JANTI NO.96 YOGYAKARTA  
(0274) 493 22 88 , 08112863773 (CHAT ONLY)**

**f qhomemart   t qhomemart   @ qhomemart   v qhomemart**

**WWW.QHOMEMART.COM**